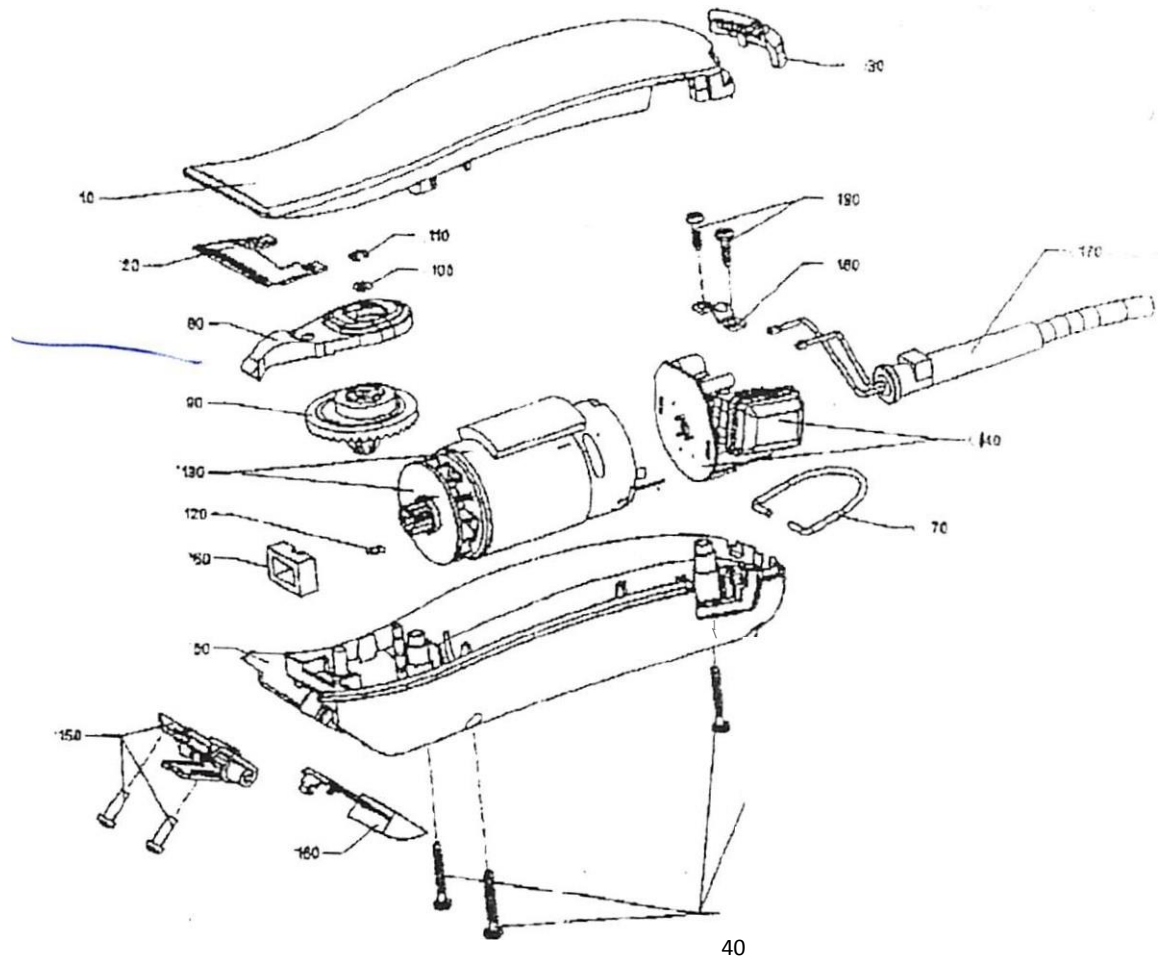


# Wahl Clipper Corporation

Parts Diagram

KM-2

June 2003



# WAHL

U.S.A.

Wahl Clipper Corporation  
Parts List for:  
KM-2  
Model: 9757

Date: 6/9  
Supersedes: New

<u>Item</u>	<u>Part #</u>	<u>Description</u>
10	<a href="#">41247-7020</a>	Lid (1247-7020)
20	<a href="#">95411</a>	Rubber seal (1245-7900)
30	<a href="#">41245-7905</a>	Filter (1245-7905)
40	<a href="#">41247-7945</a>	Case screw (1247-7945)
50	<a href="#">41247-7100</a>	Bottom case (1247-7100)
60	<a href="#">41245-7910</a>	Foam (1245-7910)
70	<a href="#">41245-7915</a>	Hanging ring (1245-7915)
80	<a href="#">41247-7900</a>	Drive lever (1247-7900)
90	<a href="#">41247-7920</a>	Toothed wheel (1247-7920)
100	<a href="#">41247-7925</a>	Washer (1247-7926)
110	<a href="#">41247-7935</a>	Washer (1247-7935)
120	<a href="#">41247-7930</a>	Washer (1247-7930)
130	<a href="#">41247-7040</a>	Motor (1247-7040)
140	<a href="#">41247-7060</a>	Circuit board w/switch (1247-7050)
150	<a href="#">41247-7810</a>	Holding plate (1247-7910)
160	<a href="#">41247-7890</a>	Latch/press button (1247-7890)
170	<a href="#">41247-7090</a>	Cord (1247-7090)
180	<a href="#">41400-7945</a>	Cable clamp (1400-7945)
1go	<a href="#">41247-7940</a>	Cord fixing screw (1247-7940)