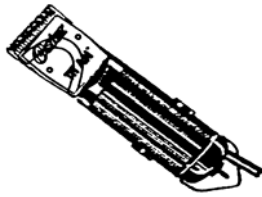




PARTS LIST

"TITAN" 76 CLIPPER



INSTRUCTIONS	COL. NO.
106349	1

USE ONLY GENUINE OSTER PARTS
USE OF WRONG PARTS MAY BE HAZARDOUS.

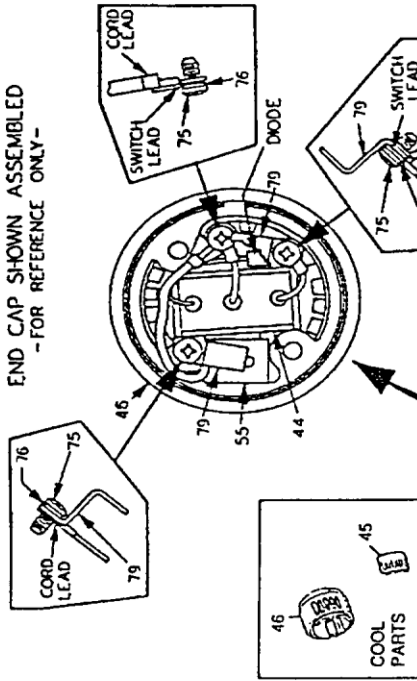
106349-E Revised 11/27/07

NEW MODELS ADDED	⇌	FIRST ISSUE	7/00	COLUMN #:																
TWO SPEED			X																	
BLACK			X																	
120 VOLTS, 45 WATTS, AC			X																	
MODEL OR SERVICE NO. COLUMN	→	1		2	3	4	5	6	7	8	9	10	11							

INDEX NO.	PART NUMBER	* WAS PART NO.	DESCRIPTION	Basic Parts	QUANTITY REQUIRED															
1	106942-000-000		SCREW,#6X1/2,TWIN HELIX	2																
2	105195-000-000		COVER PLATE	1	1															
3	041676-000-000		OILER	1																
4	042563-000-000		OIL WICK	1																
5	109547-000-000		CAPTURE PLATE	1																
6	044946-005-000		LEVER	1																
7	045515-000-000		LINK	1																
8	041723-000-000		GREASE SEAL	2																
9	042611-000-000	111012-010-000	BRUSH CAP-BLACK	2	2															
10	042584-025-000		BRUSH & SPRING ASSY	2																
11	042566-000-000		THRUST PLATE	1																
12	105520-000-000		GEAR	1																
13	057022-000-000	108783-010-005	HSG-MOTOR-INSERTS/BLACK	1	1															
14	058543-000-000		WASHER-THRUST	1																
15	042575-000-000		HINGE ASSEMBLY	1																
16	041665-000-000	109189-000-000	SCREW, MACH #6-32	2																
17	045588-000-000		BLADE GUARD	1																
18	111038-070-000		LABEL,DATA,76-31B	1	1															
20	042571-000-000		BLADE GUIDE	1																
22	044936-000-000		SOCKET	1																
25	042555-500-000		BLADE SCREW- #6-32 X 7/32	2																
26	057070-000-000		BEARING	2																
27	042568-000-000		WASHER-FELT	2																
29	058519-000-000		BEARING RETAINER	2																
30	042114-050-000		SCREW	2																
31	042872-000-000		Screw - #6-32 X 1/4	2																
32	084935-000-000	084936-005-000	ARMATURE ASSY. - 2 SPEED 120V	1	1															
33	084936-000-000		FIELD ASSY - 120V	1																
35	042557-000-000		LOCATING RING	1																
36	042559-000-000		CUP-THRUST SPRING	1																
37	042562-000-000		THRUST SPRING	1																
38	058006-000-000		MOTOR END FRAME ASSY.	1																
42	042570-000-000		RETAINING CUP	1																
44	058172-005-000		SWITCH ASSY-2SPD	1																
45	111013-010-000		VENT(W/SCREEN) BLACK	2	1															
46	108780-010-000		END CAP,TOGGLE,BLACK	1																
47	041756-000-000		LOCKWASHER	2																
48	042574-000-000	058168-000-000	SCREW - #6-32 X 1 1/8	2																
49	041683-000-000		SWITCH NUT	1																
50	042614-000-000		BRUSH RETAINER ASSY.	2																
51	042573-000-000		BALE	1																
52	042551-000-000		RETAINING RING	1																
55	110737-000-000		CORD WSR,POLARIZED	1	1															
62	042564-000-000		SCREW- #4-36 X 3/16	2																
74	041680-000-000		GREASE 1 LB	1																
75	042113-015-000		SCREW-BT	3																
79	058355-000-000		TERMINAL BRACKET	2																
80	085043-000-000		LABEL, HI-LOW	1	1															
	041664-000-000		SCREW	2																
	041877-510-003		BLADESET																	
	041877-540-003		BLADESET																	

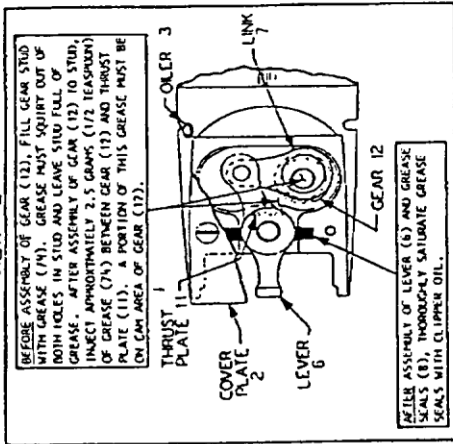


END CAP SHOWN ASSEMBLED
- FOR REFERENCE ONLY -

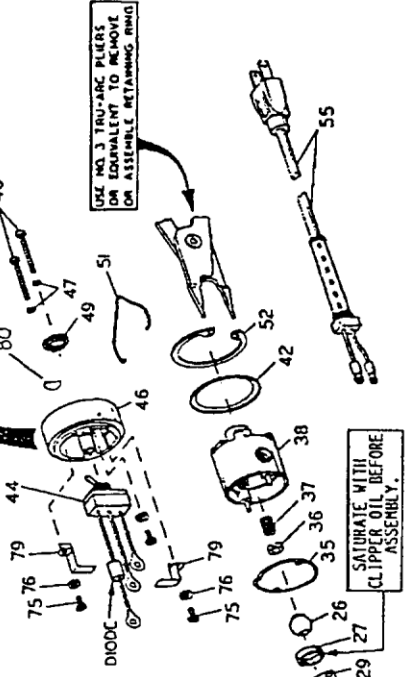
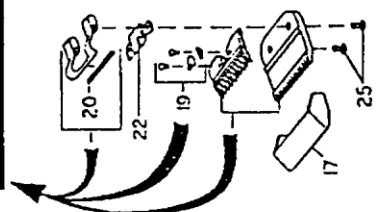


CAUTION: NUMBERS SHOWN ON DRAWING ARE INDEX NUMBERS ONLY. ORDER PARTS BY CORRECT PART NUMBER.

VIEW 2



SEE FRAME B-8, PAGE 2A FOR BLADE SET & TENSION SPRING CHART. BLADE ADJUSTMENT SPECIFICATIONS AND BUSHING & RIVET SET INFORMATION.

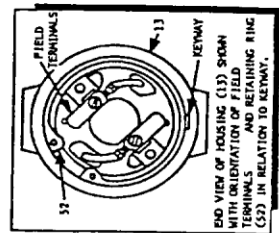


SEE NO. 3 TENSILE PLIER OR EQUIVALENT TO REMOVE OR ASSEMBLE RETAINING RING.

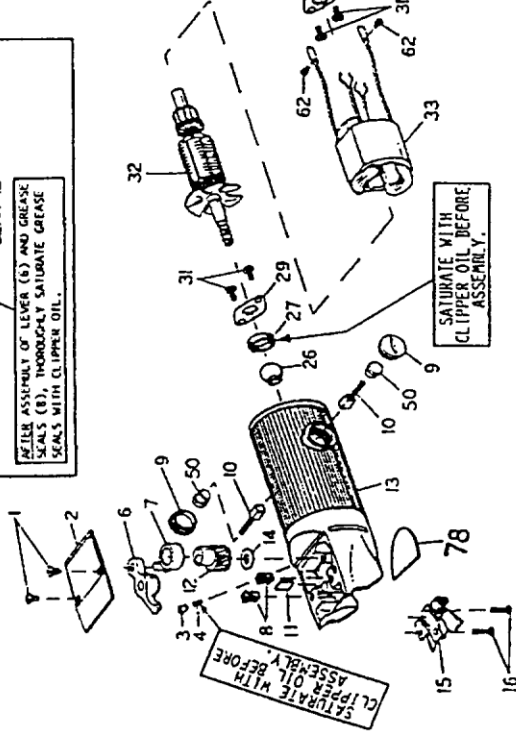
SATURATE WITH CLIPPER OIL BEFORE ASSEMBLY.

EXAMPLE: THE COMPONENT PARTS (SMALL INDEX NO.'S) ARE INCLUDED WHEN ORDERING THE ASSEMBLY PART (LARGE INDEX NO.).

28	29	30
----	----	----



END VIEW OF HOUSING (13) SHOWN WITH ORIENTATION OF FIELD TERMINALS (52) AND RETAINING RING (55) IN RELATION TO KEYWAY (13).



SATURATE WITH CLIPPER OIL BEFORE ASSEMBLY.

NOTE: FELICAL CAN GEAR (12) WITH SMALL PYLE AS SHOWN CAN ONLY BE USED ON THIS MODEL.

NOTE: TO INSURE THAT THE CORRECT APPATURE IS USED WITH THIS MODEL, CHECK THE MARK ON END OF SHIPT. THESE SHOULD MATCH THROUGH AND END OF SHIPT AS SHOWN.

START THREAD

MART-COR LTD