

TALER-TRIMMER

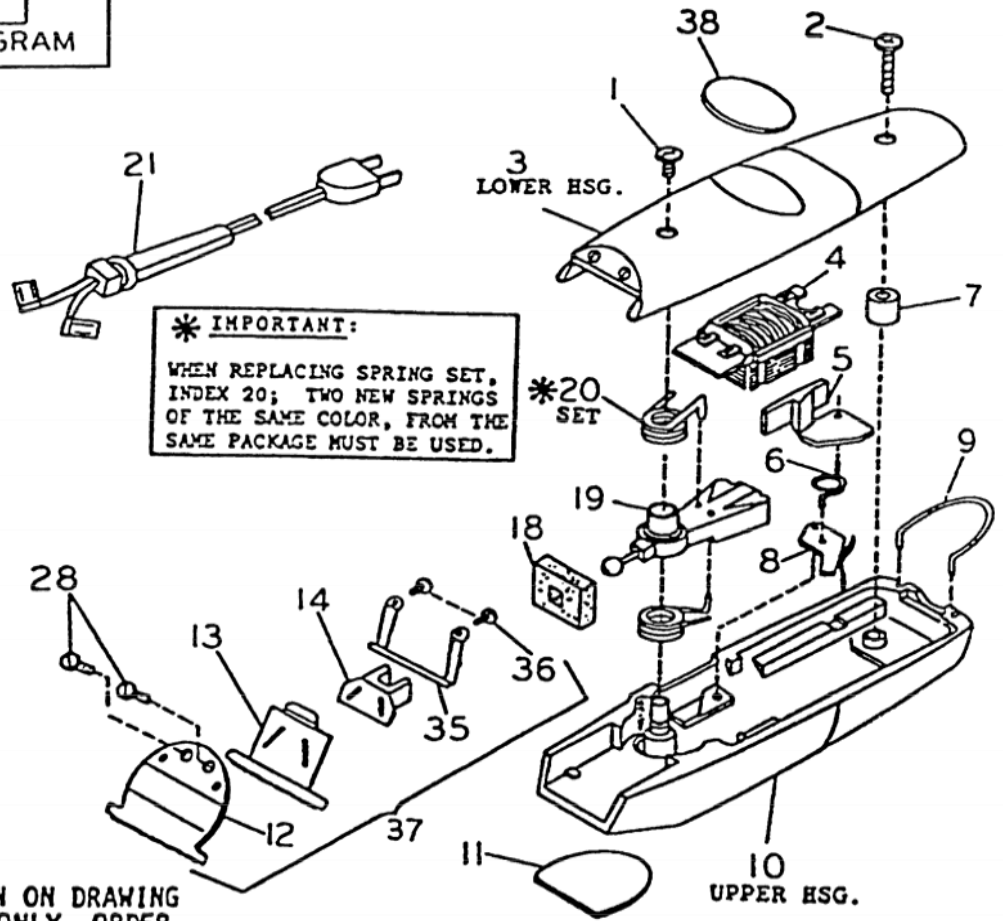
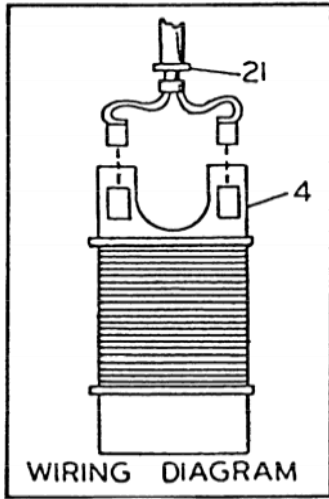


INSTRUCTIONS	COL. NO.
084881-000-000	1

NEW MODELS ADDED ⇨ FIRST ISSUE 7/ 00 COLUMN #:																				
BLACK, PIVOT, HUMAN TRIMMER	X																			
120 VOLTS, 8 WATTS, 60 CYCLES, AC ONLY	X																			
MODEL OR SERVICE NO. COLUMN	1	2	3	4	5	6	7	8	9	10	11									

INDEX NO.	PART NUMBER	* WAS PART NO.	DESCRIPTION	Basic Parts 076059-310-000	QUANTITY REQUIRED															
					1	2	3	4	5	6	7	8	9	10	11					
1	046757-000-000		SCREW #8-32x5/16 SPECIAL	1																
2	046795-000-000		SCREW #6-32x7/8 SPECIAL	1																
3	102702-010-000		HSG. ASSY. - LOWER - ADD #38	1																
4	046786-000-000		FIELD ASSEMBLY	1																
5	055114-005-000		SWITCH BUTTON - BLACK	1																
6	055112-000-000		SPRING - SWITCH	1																
7	058869-001-000		BUSHING	1																
8	055115-000-000		CONTACT	1																
9	046759-000-000		BALE	1																
10	102703-010-000		HSG. ASSY. - UPPER - ADD #11	1																
11	105199-000-000		NAMEPLATE	1																
12	055164-500-000		BLADE, LOWER	1																
13	055163-500-000		BLADE, UPPER	1																
14	055162-000-000		DRIVE SHOE	1																
18	046784-000-000		HAIR GUARD	1																
19	055458-000-000		ARMATURE ASSEMBLY	1																
20	046787-000-000		SPRING SET	1																
21	110739-000-000		CORD & PLUG ASSY -BLACK-2 WIRE	1																
28	042103-000-000		SCREW #4-40x7/32 SPECIAL	2																
35	055245-000-000		BLADE SPRING	1																
36	055161-000-000		SCREW #4-40 SPECIAL	2																
37	076913-986-000		BLADE SET - COMPLETE	1																
38	058881-050-000		DATA LABEL	1																

*SOLD AS SET 121469-000-000



*** IMPORTANT:**
 WHEN REPLACING SPRING SET,
 INDEX 20; TWO NEW SPRINGS
 OF THE SAME COLOR, FROM THE
 SAME PACKAGE MUST BE USED.

NOTE: NUMBERS SHOWN ON DRAWING
 ARE INDEX NUMBERS ONLY. ORDER
 PARTS BY CORRECT PART NUMBER.