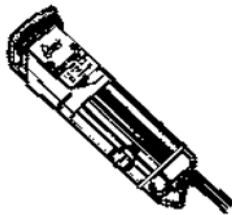


GROOM MASTER



INSTRUCTIONS	COL. NO.
M-6066	1 & 2

NEW MODELS ADDED ⇒ FIRST ISSUE 4/92	COLUMN #: 1
NEW MODELS ADDED ⇒ FIRST ISSUE 6/94	COLUMN #: 2
120 VOLTS, 35 WATTS, AC OR DC	X X
GROOM-MASTER	X X
DETACHABLE BLADES	X X
MODEL OR SERVICE NO. COLUMN	1 2 3 4 5 6 7 8 9 10 11

INDEX NO.	PART NUMBER	* WAS PART NO.	DESCRIPTION	Basic Parts	QUANTITY REQUIRED															
					15-01-A	15-01-B														
1	041664-000-000	130	SCREW-#6-32 X 1/4	2																
2	058867-000-000	600408	COVER PLATE	1																
3	041676-000-000	336	OILER	1																
4	042653-000-000	61429	OIL WICK	1																
6	058914-000-000	600407	LEVER	1																
7	045515-000-000	74285	LINK	1																
8	041723-000-000	1980	GREASE SEAL-SEE VIEW 2-P. 15E	2																
10	042584-020-000	62106-002	BRUSH & SPRING ASSY. SEE NOTE 2	1PR																
11	042556-000-000	61446	THRUST PLATE	1																
12	058908-000-000		GEAR	1																
13	058909-000-000	600402	HSG. - ADD #3, #4	1																
14	058543-000-000	222273	WASHER STEEL	1																
15	058990-000-000	600511	HINGE - ASSY.	1																
16	041665-000-000	131	SCREW - #6-32 X 3/8	2																
20	042571-000-000	61537	BLADE GUIDE	1																
22	058982-000-000	600502	SOCKET	1																
25	042555-000-000	61416	BLADE SCREW - #6-32 X 7/32	2																
26A	057070-000-000	218016	BEARING	2																
27	042568-000-000	61521	WASHER - FELT	2																
29A	058519-000-000	221693	BEARING RETAINER	2																
31	042872-000-000	71522	SCREW - #6-32 X 1/4	4																
32	084934-005-000	58097	ARMATURE ASSY.	1																
33	084936-000-000	58099	FIELD ASSY.	1																
34	044938-000-000	72527	LATCH	1																
35	042557-000-000	61421	LOCATING RING	1																
36	042559-000-000	61423	CUP	1																
37	042562-000-000	61427	THRUST SPRING	1																
38	058006-000-000	218387	MOTOR END FRAME ASSY.	1																
42	042570-000-000	61523	RETAINING CUP	1																
45	104365-000-000	42465	SWITCH ASSY.	1																
46	108780-010	58911	END CAP	1																
48	042574-000-000	61612	SCREW - #6-32 X 1-1/8	2																
49	041683-000-000	379	SWITCH NUT	1																
50	042614-000-000	62682	BRUSH RETAINER ASSY.	2																
51	042573-000-000	61610	BALE	1																
52	042551-000-000	61324	RETAINING RING	1																
55	110737-000-000	217963	CORD & PLUG ASSY.	1																
60	041680-000-000	349	GREASE																	
62	042564-000-000	61431	SCREW- #4-36 X 3/16																	
75	042843-000-000	70386	SCREW - #3-48 X 5/32	2																
	059768-005-000		BLADE SET	1																

NOTE 1

TO INSURE THAT THE CORRECT ARMATURE IS USED WITH THESE MODELS, CHECK THE WORM GEAR END OF SHAFT. THERE SHOULD BE TWO START THREADS AROUND END OF SHAFT AS SHOWN.



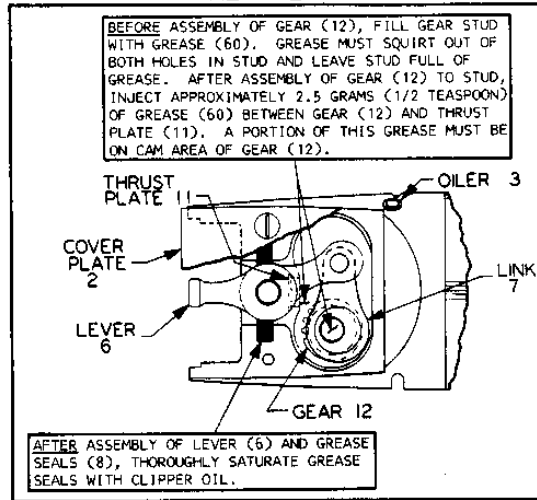
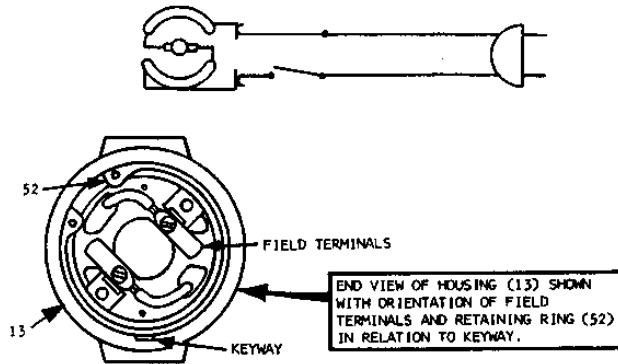
WORM GEAR END

START
THREAD

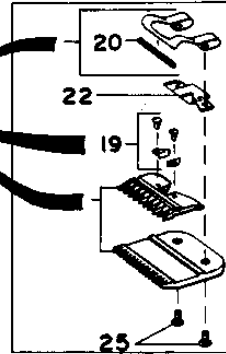
FIELD AND ARMATURE RESISTANCE SPECIFICATIONS	
FIELD NO.	RESISTANCE PER COIL
58094	18.7 - 22.9 OHMS
ARMATURE NO.	
58097	BAR TO BAR: 6.4 - 9.6 OHMS 180°: 33.4 - 36.8 OHMS

VIEW 2

WIRING DIAGRAM



SEE FRAME B-8, PAGE 2A FOR BLADE SET & TENSION SPRING CHART, BLADE ADJUSTMENT SPECIFICATIONS AND BUSHING & RIVET SET INFORMATION.



CAUTION: NUMBERS SHOWN ON DRAWING ARE INDEX NUMBERS ONLY. ORDER PARTS BY CORRECT PART NUMBER.

