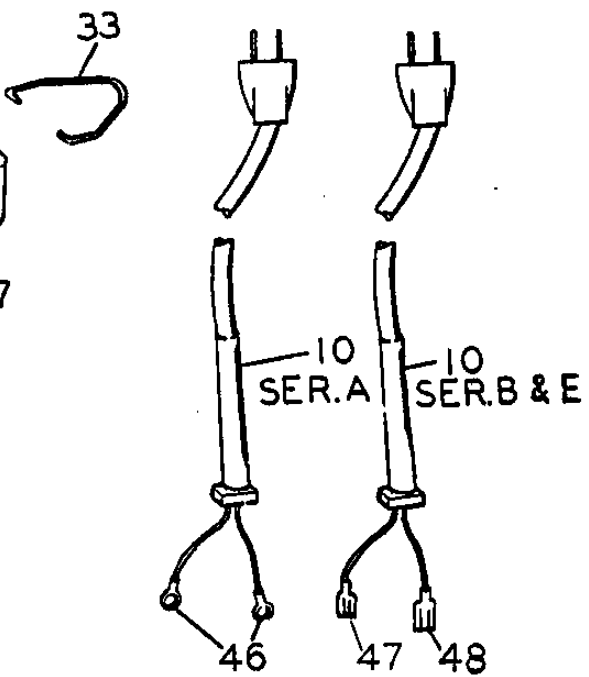
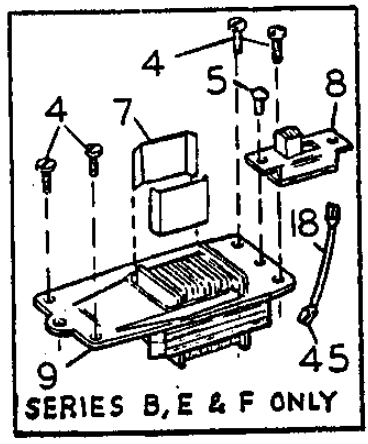
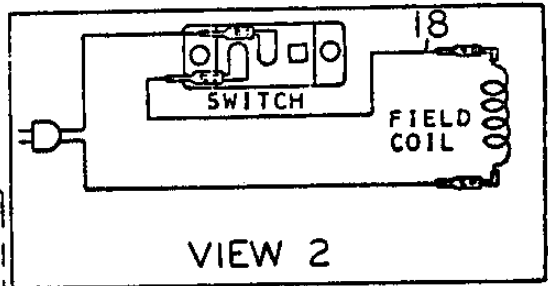
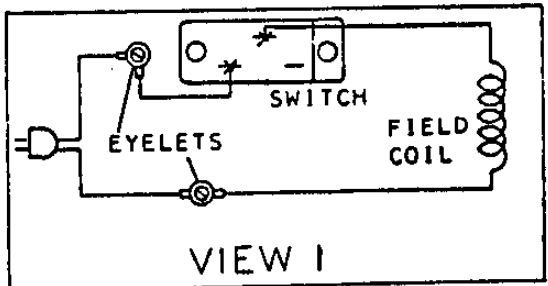
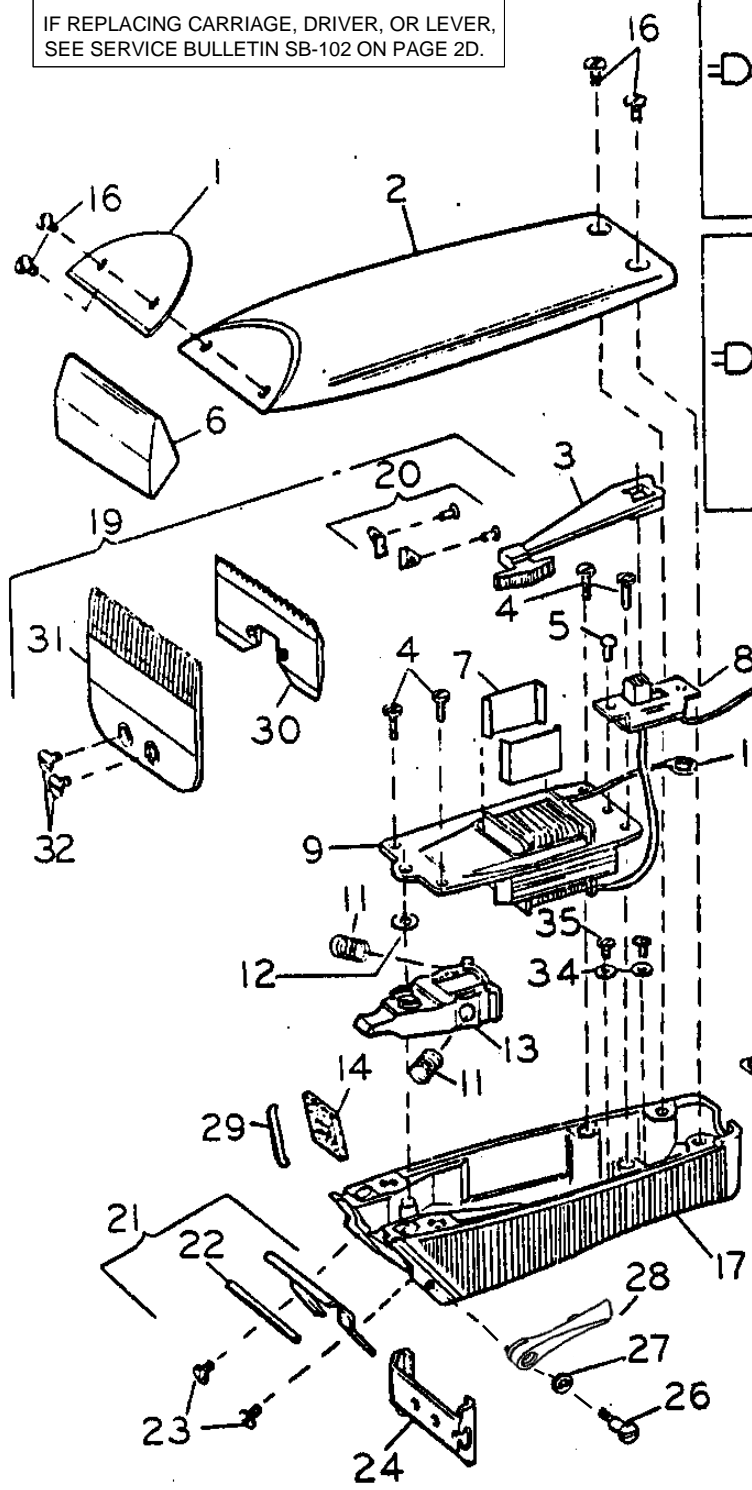


▲ NOTE 1:
IF REPLACING CARRIAGE, DRIVER, OR LEVER,
SEE SERVICE BULLETIN SB-102 ON PAGE 2D.



CAUTION: Numbers shown are Diagram
Index Numbers only. Order parts by correct
Part Number.