

INSTRUCTIONS	COL. NO.
058541-001-000	1 & 2

NEW MODELS ADDED ⇌ FIRST ISSUE	3/00	COLUMN #: 1, 2, 3, 4																		
059780-200-000 MTR ASY, YELLOW, 1503-02A	X																			
059778-000-000 MTR ASY, SILVER, 1501-02A		X																		
059780-100-000 MTR ASY, GRAY, 1503-02A			X																	
059778-000-000 MTR ASY, BLUE, 1501-02A				X																
WIRING DIAGRAM - SEE VIEW	1	2	1	2																
MODEL OR SERVICE NO. COLUMN →		1	2	3	4	5	6	7	8	9	10	11								

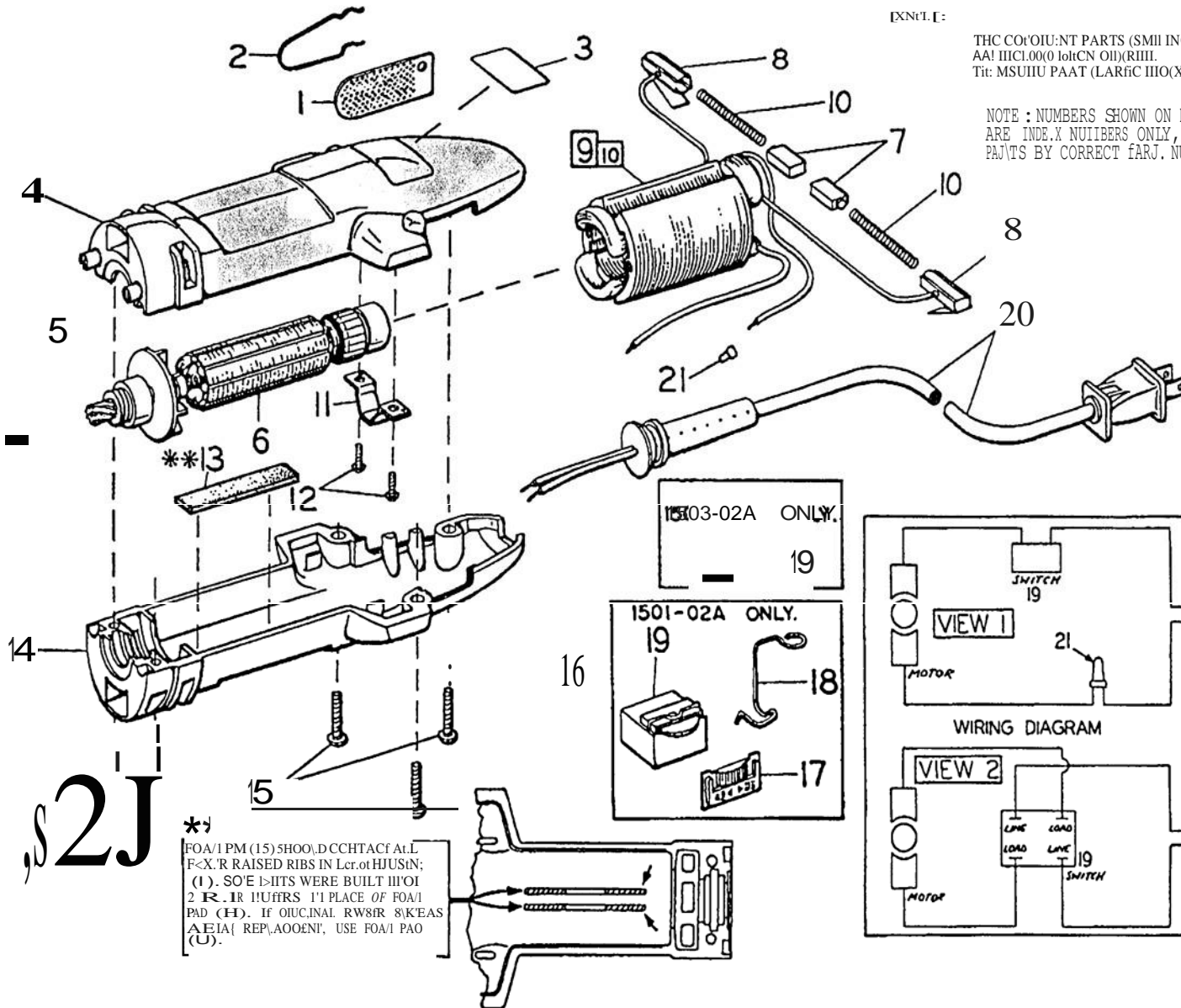
INDEX NO.	PART NUMBER	* WAS PART NO.	DESCRIPTION	← Basic Parts	QUANTITY REQUIRED															
					078150-323-000	078150-123-000	078150-523-000	78150-723-000												
1	045538-000-000		SCREEN	1		1		1												
2	042899-000-000		CLIP-RETAINING	1																
3	058104-001-000		LABEL-MOTOR NAMEPLATE	1																
4	105696-002-000	105694-000-000	HSG-UPPER-YELLOW-WET PAINT		1															
4	105696-001-000	105696-000-000	HSG-UPPER-SILVER-WET PAINT			1														
4	105696-004-000	105696-000-000	HSG-UPPER-GRAY-WET PAINT				1													
4	105696-003-000	105696-000-000	HSG-UPPER-BLUE-WET PAINT					1												
5	042891-000-000		O-RING	1																
6	105698-000-000	58110	ARM/BRG ASY - SEE NOTE 1	1																
7	042435-000-000		BRUSH CARBON	2																
8	058379-000-000		HOLDER-BRUSH	2																
9	058387-000-000		FIELD ASY-120V	1																
10	042894-000-000		SPRING-BRUSH	2																
11	042892-000-000		VEN-RETAINER-BRG	1																
12	042186-000-000		SCREW-SP	2																
13	058404-000-000		PAD-FOAM	1																
14	105697-002-000	105695-015-000	HSG-LOWER-YELLOW-WET PAINT		1															
14	105697-001-000	105697-000-000	HSG-LOWER-SILVER-WET PAINT			1														
14	105697-004-000		HSG-LOWER-GRAY-WET PAINT				1													
14	105697-003-000		HSG-LOWER-BLUE-WET PAINT					1												
15	042109-000-000		SCREW-MS	5																
16	113537-000-000	105519-000-000	LABEL-DATA/MOTOR LARGE ANIMAL		1															
16	113539-000-000	105518-000-000	LABEL-DATA/MOTOR LARGE ANIMAL			1														
16	113542-000-000		LABEL-DATA/MOTOR LARGE ANIMAL				1													
16	113541-000-000		LABEL-DATA/MOTOR LARGE ANIMAL					1												
17	055721-000-000		COVER-SWITCH-HSTMP			1		1												
18	055723-000-000		CLIP-RETAINING			1		1												
19	058513-010-000	58513-005-000	SWITCH-ROCKER ASY		1		1													
19	055728-000-000		SWITCH-VARIABLE			1			1											
20	110735-000-000		CORD	1																
21	055136-000-000		CONNECTOR-CRIMP		1		1													
22	045591-000-000		WASHER-SEAL	1																

NOTE 1

IF SERVICER HAS THE PROPER EQUIPMENT TO DISASSEMBLE & ASSEMBLE FRONT & REAR BEARINGS, THEY ARE AVAILABLE SEPARATELY. FAN MAY ALSO BE OBTAINED UPON REQUEST. CONTACT OSTER PRODUCT SERVICE FOR DETAILS.

22

2J



*1
FOA/1 PM (15) SHOO, D CCHTACf At L
F<X.R RAISED RIBS IN Lcr.ot HJUSiN;
(1). SO'E D>HTS WERE BUILT III'OI
2 R..IR IIUFRS I'1 PLACE OF FOA/1
PAD (H). IF OIUC.INAL RW8IR 8'KEAS
AEIAI REP, AOOENI, USE FOA/1 PAO
(U).

EXNCL. E:

THE COU'OU:NT PARTS (SMI INOU NO. 'S)
AA! III'CL.OO(O IohCN OI) (RIIII.
TI: MSUIIU PAAT (LARfC IIIO(X NO.)

NOTE : NUMBERS SHOWN ON DRAWING
ARE INDEX NUMBERS ONLY, ORDER
PARTS BY CORRECT PART NUMBER .