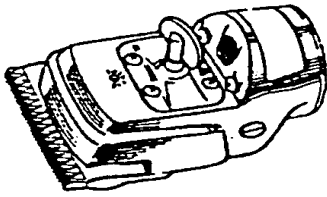




**PARTS LIST**  
HEAD ASSEMBLY



INSTRUCTIONS	COL. NO.
058541-001-000	1

USE ONLY GENUINE OSTER PARTS  
USE OF WRONG PARTS MAY BE HAZARDOUS.

M-8002  
11/30/07

<b>NEW MODELS ADDED</b> ⇌ <b>FIRST ISSUE</b>	3/00	<b>COLUMN #:</b> 1											
104379-000-000 CLIPMASTER HEAD ASSY.	X												
PACKED WITH BLADES	X												
3000 CUTTING STROKES PER MINUTE	X												
HORSES, CATTLE, LLAMAS, GOATS	X												
SINGLE SPEED 510A	X												
VARIABLE SPEED 610A	X												
<b>MODEL OR SERVICE NO. COLUMN</b> →		1		4	5	6	7	8	9	10	11		

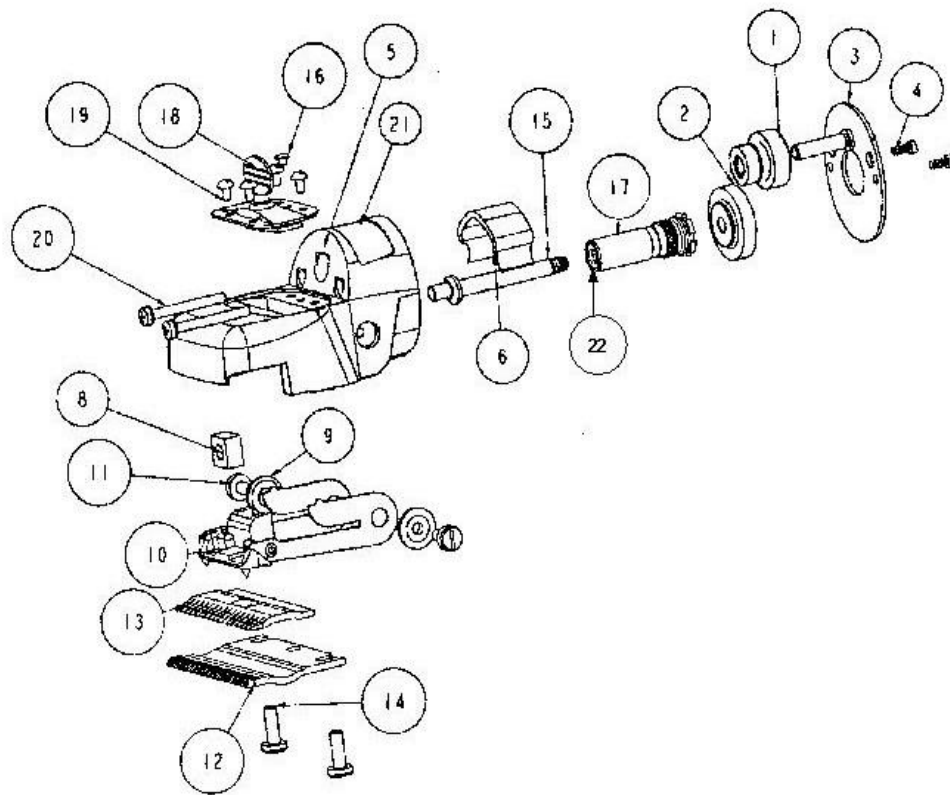
INDEX NO.	PART NUMBER	* WAS PART NO.	DESCRIPTION	Basic Parts ←	QUANTITY REQUIRED												
					078150-513-000												
1	<a href="#">042883-000-000</a>		GEAR ASY	1													
2	<a href="#">044910-000-000</a>		VEN-GEAR-CRANKSHAFT	1													
3	<a href="#">044911-005-000</a>		COVER ASY	1													
4	<a href="#">044915-000-000</a>		SCREW-MS	2													
5	<a href="#">044930-100-000</a>		HSG-MACH	1													
6	<a href="#">044993-000-000</a>		INSULATOR-GEAR	1													
8	<a href="#">055702-000-000</a>		BLOCK-SLIDE	1													
9	<a href="#">055703-000-000</a>		SPACER	2													
10	<a href="#">055712-005-000</a>		YOKE ASY - SEE NOTE 1	1													
11	<a href="#">055714-000-000</a>		SCREW	2													
12	<a href="#">055715-000-000</a>		BLADE BOTTOM-TITANIUM	1													
13	<a href="#">055716-000-000</a>		BLADE TOP-TITANIUM	1													
14	<a href="#">055717-000-000</a>		SCREW	2													
15	<a href="#">104153-000-000</a>		CRANKSHAFT-CLIPMASTER	1													
16	<a href="#">104331-000-000</a>		SET SCREW	1													
17	<a href="#">104362-005-000</a>		BUSHING-ASSY-CLIPMASTER	1													
18	<a href="#">104460-005-000</a>		TENSION PLATE ASY	1													
19	<a href="#">042106-005-000</a>		SCREW-MS	4													
20	<a href="#">042139-005-000</a>		SCREW-MS	2													
21	<a href="#">104480-001-000</a>		NAMEPLATE CLIPMASTER SPARE HD	1	1												
22	<a href="#">103722-000-000</a>		BEARING-NEEDLE	2													

NOTE 1  
IF SERVICER HAS THE PROPER EQUIPMENT TO DISASSEMBLE & ASSEMBLE YOKE ASSEMBLY, THE INDIVIDUAL COMPONENTS ARE AVAILABLE SEPARATELY. CONTACT OSTER PRODUCT SERVICE FOR DETAILS.

MANUAL: STEWART  
SECTION: CLIPPERS

CONTINUED ON REVERSE SIDE  
PAGE: 209





NOTE: NUMBERS SHOWN ON DRAWING ARE INDEX NUMBERS ONLY. ORDER PARTS BY CORRECT PART NUMBER.