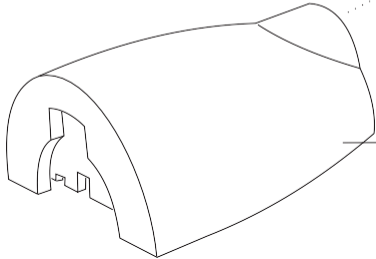
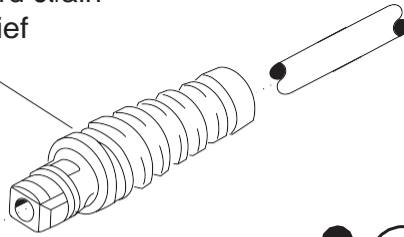




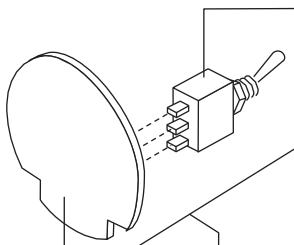
1 Cord Strain Relief



2 Housing (T/B)



3 On/Off/On Switch (3 pin)



9 Screw

4 Circuit Board Assy.

5 Contact C.B.

6 Lock

7 Bale Hanger

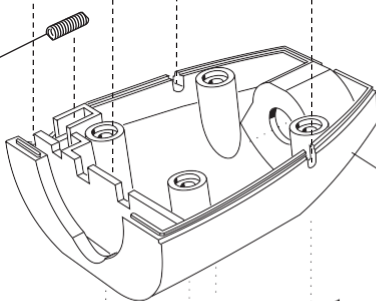
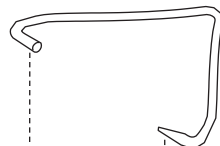
8 Spring

10 Switch Nut

2 Housing (T/B)

9 Screws

9 Screws





iCLIP CORDPACK 2SPEED

MODEL #LA884320



ITEM	PART#	REQ'D	DESCRIPTION
1	SE5230010000	1	Cord Strain Relief -Round
2	SE88417	1	iC Cordpack Housing 2spd (T/B) Black
3	SE5210120000	1	Toggle Swithch (3pin on/off/on)
4	SE5210100000	1	Circuit Board Assmby KLB005
5	SE884001	1	iC Contact CB Assembly
6	SE88425	1	iC Cordpack lock button
7	SE7200020000	1	Bale Hanger (Mini)
8	RM18005	1	iC Spring (Button)
9	SE50080	5	Screw 2-32 x 3/8" Plastic Thread
10	SE5200030000	2	Switch Nut

	SE50266306	1	Transformer 110/220v 50-60Hz USA Plug (18' Cord)
	SE50266200	1	Transformer 110/220v 50-60Hz No Plug (18' Cord)
	SE50266210	1	Plug-2011 (Transfromer) USA
	SE50266220	1	Plug-2011 (Transfromer) EURO
	SE50266230	1	Plug-2011 (Transfromer) UK
	SE50266240	1	Plug-2011 (Transfromer) AUST.