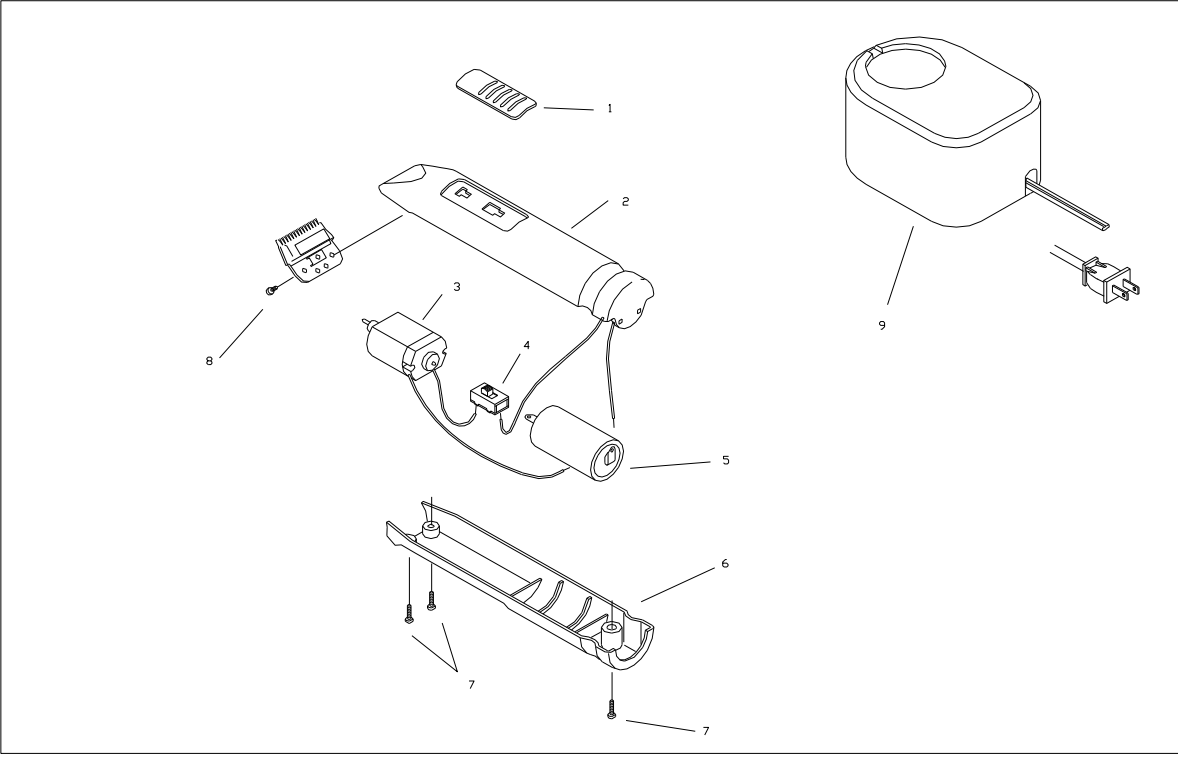


C



ITEM NO.	PART NO.	DESCRIPTION	QTY. REQ'D
1	<a href="#">32564</a>	Switch Button	1
2		Upper Housing Assembly	
2a	<a href="#">32588</a>	Upper Housing Assembly (Edjer II)	1
2b	<a href="#">32587</a>	Upper Housing Assembly (T-Edjer II)	
2c	<a href="#">32999</a>	Upper Housing Assembly (TS Salon T)	1
3	<a href="#">32098</a>	Motor Assembly	1
4	<a href="#">29950</a>	Switch	
5	<a href="#">69018</a>	Battery	1
6	<a href="#">32093</a>	Lower Housing	1
7	<a href="#">32580</a>	Housing Screw	3
8	<a href="#">29271</a>	Blade Screw	2
9	<a href="#">32730</a>	Charger Assembly	1

**IMPORTANT INFORMATION**

When ordering repair parts, include part number, part name and model of trimmer. For best performance, trimmer blades should be CLEANED and OILED with A Clipper Oil before and after use. If repair is necessary, return to any Andis Authorized Repair Service Station, or to Andis Company, 1800 Renaissance Blvd., St Wisconsin, 53177 U.S.A.. Pack carefully, mail either Insured Parcel Post, or U.P.S. , attach a letter to outside of package explaining difficulty.

