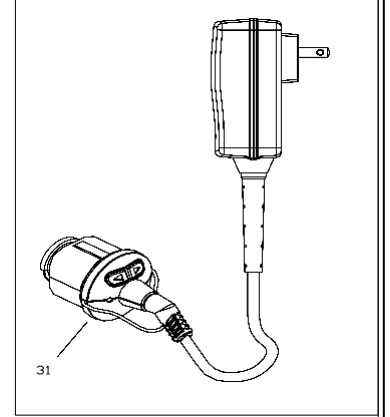
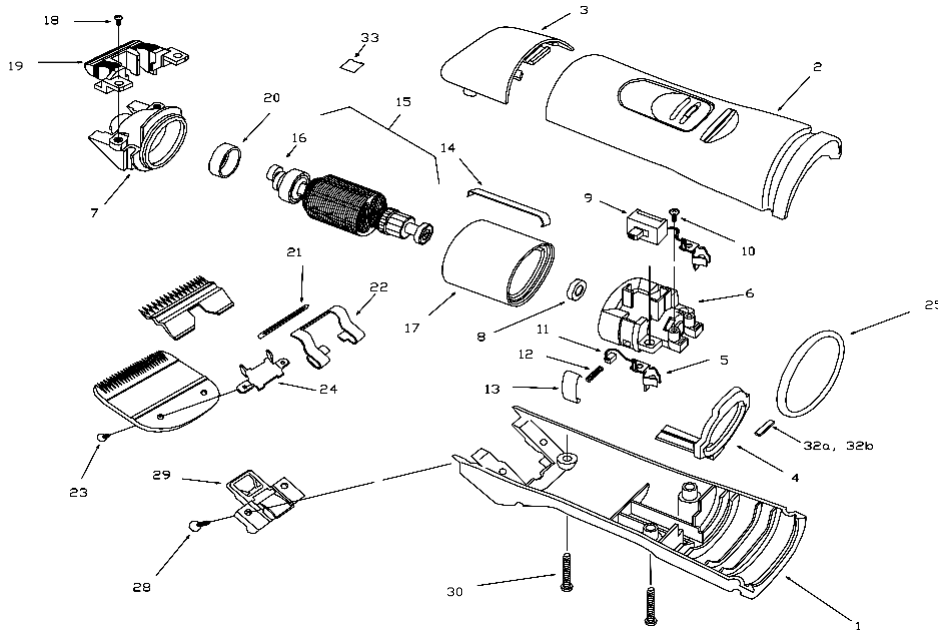


andis®

MODEL BGRV CLIPPER 120 VOLT



ITEM NO.	PART NO.	DESCRIPTION	QTY. REQ'D
1	63674	Lower Housing (Black)	1
2	65477	Upper Housing Assy (Black)	1
3	65267	Drive Cap (Black)	1
4	64527	Lock Ring	1
5	64508	Motor Battery Contacts	2
6	63328	Rear Motor Frame	1
7	65581	Front Motor Frame	1
8	21067	Small Bearing Mounting Ring	1
9	64507	Switch	1
10	57993	Screw, 5-18 x 0.375	6
11	64503	Copper Brush with Shunt	2
12	65806	Brush Spring	2
13	65805	Brush Retainer Clip	2
14	64514	Motor Frame Clip	2
15	64726	Armature Assembly	1
16	27251	Cam Assembly	1
17	64529	Magnetized Field Assembly	1
18	15766	Screw, 4-40 x 7/32	2
19	S20651	Blade Drive Assembly	1
20	21068	Large Bearing Mounting Ring	1
21	64027	Blade Guide	1
22	64013	Tension Spring	1
23	64139	Blade Screw	2
24	64003	Blade Bracket	1
25	64784	O-Ring	1

ITEM NO.	PART NO.	DESCRIPTION	QTY. REQ'D
26	-	-	1
27	-	-	1
28	27864	Screw, Blade Hinge	2
29	22380	Hinge Assembly w/booster spring	1
30	64606	Housing Screw	4
31	63712	Corded Adaptor	1
32		Lock Ring Spacer	
32a	64754	Foam Pad	1
32b	65537	Metal Leaf Spring	1
33	64916	Oil Seal	1
34	64526	Positive Lead Wire (Not shown)	1

IMPORTANT INFORMATION

When ordering repair parts, include part number, part name and model of trimmer. For best performance, trimmer blades should be CLEANED and OILED with Andis Clipper Oil before and after use. If repair is necessary, return to any Andis Authorized Repair Service Station, or to Andis Company, 1800 Renaissance Blvd., Sturtevant, Wisconsin, 53177 U.S.A.. Pack carefully, mail either Insured Parcel Post, or U.P.S. , attach a letter to outside of package explaining difficulty.