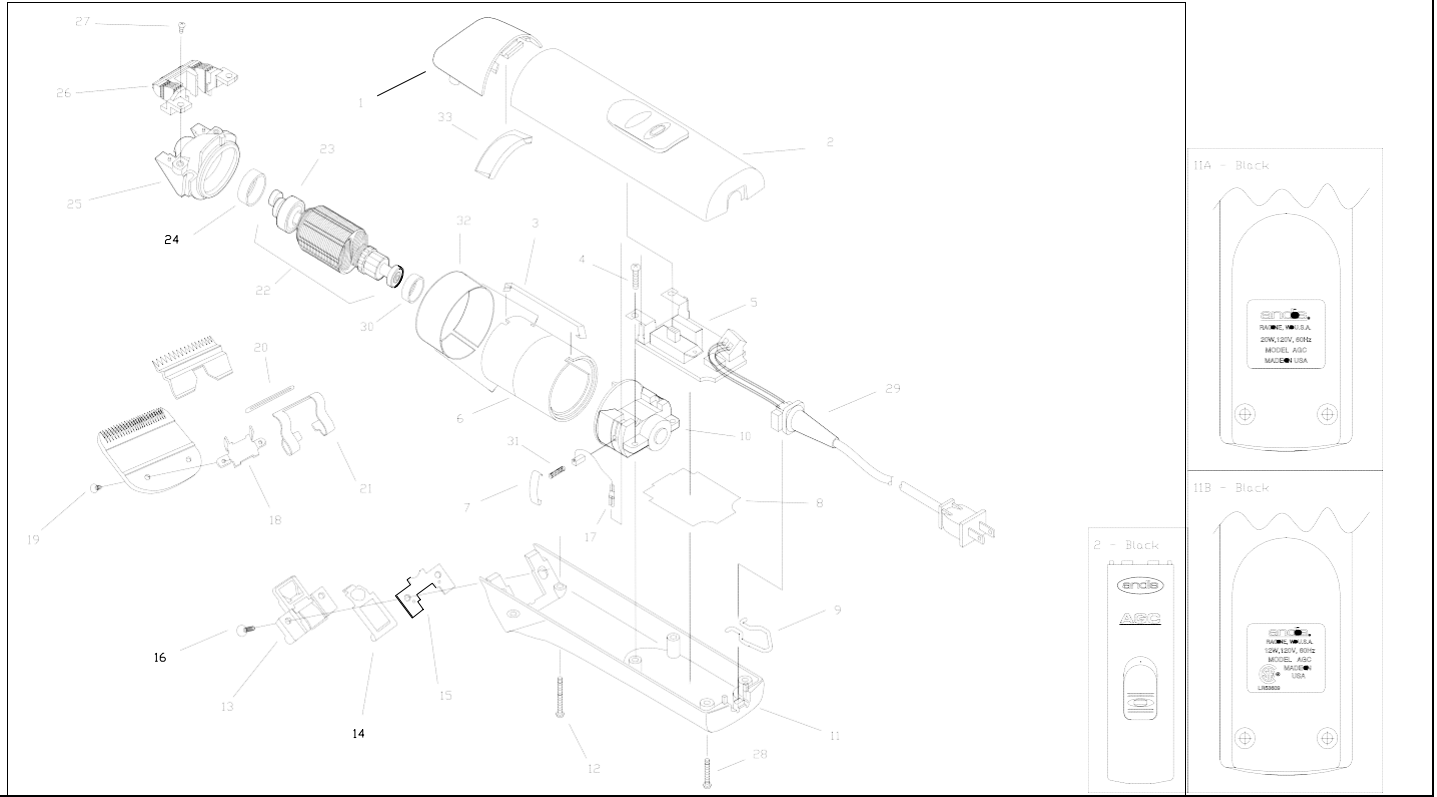




# MODEL AGC CLIPPER 120 VOLT



ITEM NO.	PART NO.	DESCRIPTION	QTY. REQ'D
1	<a href="#">65267</a>	Drive Cap (Black)	1
2	<a href="#">22958</a>	Upper Housing Assembly - Black	1
3	<a href="#">27198</a>	Motor Frame Clip	1
4	<a href="#">65828</a>	Screw	1
5	<a href="#">22682</a>	Switch and Circuit Board Assembly	1
6	<a href="#">27352</a>	Field Assembly	1
7	<a href="#">65805</a>	Brush Retaining Clip	2
8	<a href="#">64958</a>	Insulator (CSA Only)	1
9		Hanger Bail	
9a	<a href="#">22267</a>	(for units after 7/3/03)	1
9b	<a href="#">25061</a>	(for units before 7/3/03)	1
10	<a href="#">63327</a>	Rear Motor Frame	1
11		Lower Housing	
11a	<a href="#">65253</a>	Lower Housing (AGC USA) - Black	1
11b	<a href="#">22848</a>	Lower Housing (AGC CSA) - Black	1
12	<a href="#">64606</a>	Front Housing Screw	2
13	<a href="#">S63897</a>	Hinge Assembly	1
14	<a href="#">64537</a>	Blade Lock	1
15	<a href="#">64535</a>	Lock Keeper	1
16	<a href="#">27864</a>	Blade Hinge Screw	2
17	<a href="#">27847</a>	Carbon Brush w/ Shunt	2
18	<a href="#">64003</a>	Blade Bracket	1
19	<a href="#">64139</a>	Blade Screw	2

ITEM NO.	PART NO.	DESCRIPTION	QTY. REQ'D
20	<a href="#">64027</a>	Blade Guide	1
21	<a href="#">64013</a>	Tension Spring	1
22		Armature Assembly	
22a	<a href="#">27072</a>	Armature Assy. (includes #23a) USA	1
22b	<a href="#">21977</a>	Armature Assy. (includes #23b) CSA	1
23		Cam and Bearing Assembly	
23a	<a href="#">27251</a>	Metal Cam and Bearing Assy (USA)	1
23b	<a href="#">27854</a>	Plastic Cam and Bearing Assy (CSA)	1
24	<a href="#">21068</a>	Large Bearing Cup	1
25	<a href="#">65581</a>	Motor Frame	1
26	<a href="#">S20651</a>	Blade Drive Assembly	1
27	<a href="#">15766</a>	Blade Drive Screw	2
28	<a href="#">22086</a>	Rear Housing Screw	2
29	<a href="#">64250</a>	Cord Set	1
30	<a href="#">21067</a>	Small Bearing Cup	1
31	<a href="#">65806</a>	Brush Spring	2
32	<a href="#">64991</a>	Oil Seal	1
33	<a href="#">17091</a>	Self-Adhesive Foam Pad	1

### IMPORTANT INFORMATION

When ordering repair parts, include part number, part name and model of trimmer. For best performance, trimmer blades should be CLEANED and OILED with Andis Clipper Oil before and after use. If repair is necessary, return to any Andis Authorized Repair Service Station, or to Andis Company, 1800 Renaissance Blvd., Sturtevant, Wisconsin, 53177 U.S.A.. Pack carefully, mail either Insured Parcel Post, or U.P.S. , attach a letter to outside of package explaining difficulty.