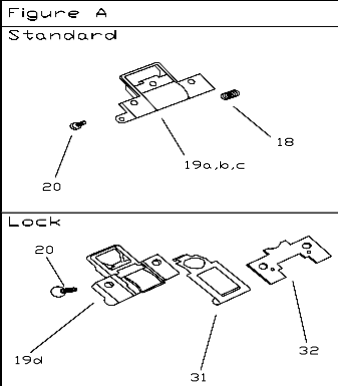
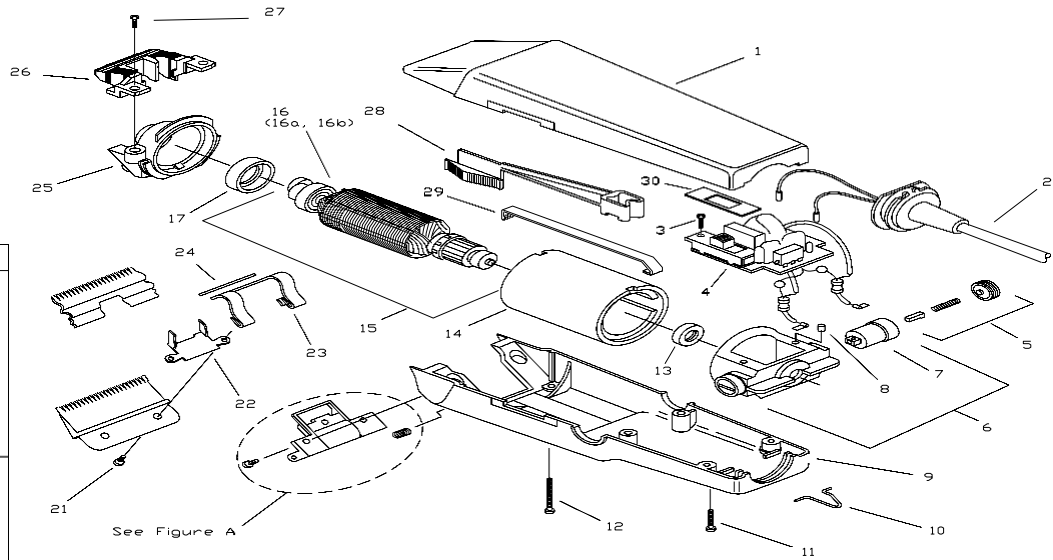




2 SPEED MODEL
 2 SPEED MODEL
 2 SPEED MODEL
 2 SPEED MODEL
 AG2 CLIPPER
 AG2 CLIPPER
 BG2 CLIPPER
 BG2 CLIPPER



ITEM NO.	PART NO.	DESCRIPTION	QTY. REQ'D	ITEM NO.	PART NO.	DESCRIPTION	QTY. REQ'D
1		Upper Housing		16		Cam and Bearing Assy	
1a	20112	AG2 Upper Housing	1	16a	27251	Metal Cam & Bearing Assy (AG2 USA)	1
1b	27323	Super AG2 Upper Housing	1	16b	27854	Plas. Cam/Bearing Assy (BG2 UL)	1
2		Cord Set		17	21068	Large Bearing Mounting Ring	1
2a	21790	Cord Set (AG2 USA/CSA 14 feet)	1	18	21014	Blade Retaining Spring	1
2b	21164	Cord Set (BG2 UL/CSA)	1	19		Hinge Assembly	
				19a	28194	Hinge Assy (BG & Oster 76 & 89)	1
3	65828	Screw	2	19b	S27091	Hinge Assy (BG & Oster 10, 22, 111)	1
4	20024	Speed Control - 2 speed	1	19C	28193	Hinge Assy (AG2 & Super AG2)	1
5	21812	Brush Repair Kit	1	19D	63897	Hinge Assy - Locking	1
6	21766	Brush Housing (Incls items 7 and 8)	1	20	27864	Blade Hinge Screw	2
7	21432	Brush Holder	1	21	64139	Blade Screw	2
8	21021	Set Screw	2	22	64003	Blade Bracket	1
9		Lower Housing		23	64013	Tension Spring	1
9a	24847	AG2 Lower Housing USA	1	24	64027	Blade Guide	1
9b	27271	AG2 Lower Housing CSA	1	25	27181	Front Motor Frame Assy	1
9c	22163	BG2 Lower Housing UL	1	26	S20651	Blade drive Assembly	1
9d	22658	Super AG2 Lower Housing USA	1	27	15766	Blade Drive Screw	2
9e	27269	Super AG2 Lower Housing CSA	1	28	21452	Switch Actuating Arm	1
10	25018	Hanger Bail	1	29	27198	Motor Frame Retaining Clip	2
11	21050	Rear Housing Screw	2	30	21063	Insulator	1
12	21048	Front Housing Screw	2	31	64537	Blade Lock	1
13	21067	Small Bearing Mounting Ring	1	32	64535	Lock Keeper	1
14		Field Assembly					
14a	27352	Field Assembly AG2	1				
14b	22453	Field Assembly Super AG2	1				
15		AG2 Armature assy					
15a	27072	AG2 Armature Assy - USA (inc. item #16a)	1				
15b	21977	AG2 Armature assy - CSA (inc. item #16b)	1				

IMPORTANT INFORMATION

When ordering repair parts, include part number, part name and model of trimmer. For best performance, trimmer blades should be CLEANED and OILED with Andis Clipper Oil before and after use. If repair is necessary, return to any Andis Authorized Repair Service Station, or to Andis Company, 1800 Renaissance Blvd., Sturtevant, Wisconsin, 53177 U.S.A. Pack carefully, mail either Insured Parcel Post, or U.P.S. attach a letter to outside of package explaining difficulty.